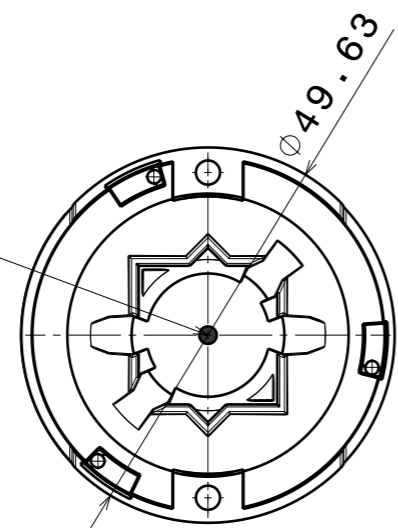


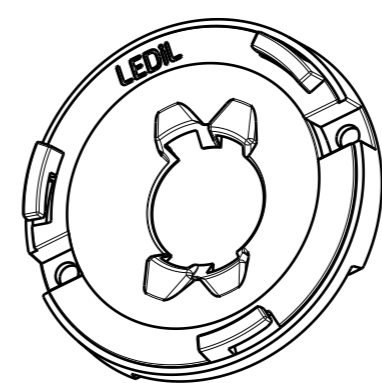
4

4

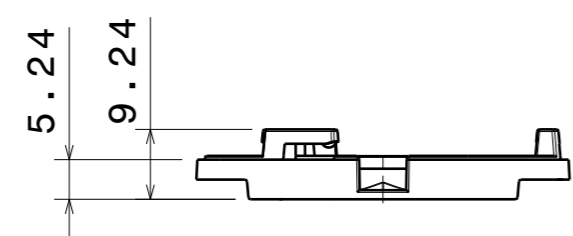
LED Middle position  
CXA15 and CXA18



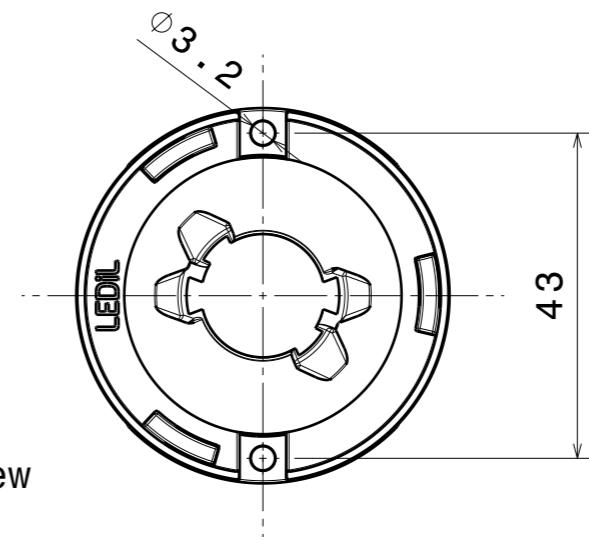
Bottom view



Isometric view



Front view



Top view

3

3

2

2

1

1

INDEX	PART NO	DESCRIPTION	MATERIAL	COLOUR
1	C14123	CLAMP-CXA15-18	PC	white

Tolerances if not otherwise shown  
According to DIN ISO 2768-1  
Linear measures:  
Up to 30mm class F, otherwise class M.  
According to DIN ISO 2768-2  
Form and position: class K

**LEDiL** LediL Oy  
Salorankatu 10  
FIN 24240 SALO  
Finland

THIRD ANGLE PROJECTION:

DRAWING TITLE  
**C14123\_CLAMP-CXA15-18**

This drawing is the property of LEDiL Oy. It may not be reproduced, copied or communicated without a written agreement with LEDiL Oy.

SIZE	PART NUMBER
<b>A3</b>	<b>C14123</b>

SCALE	1:1	WEIGHT	3,52 g	SHEET	1/1
-------	-----	--------	--------	-------	-----